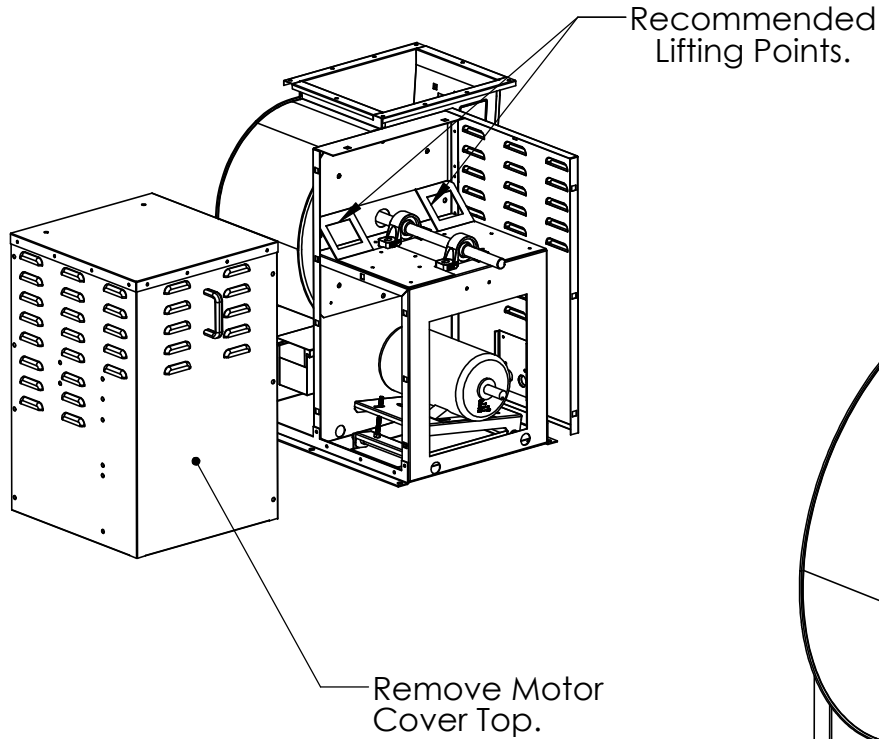
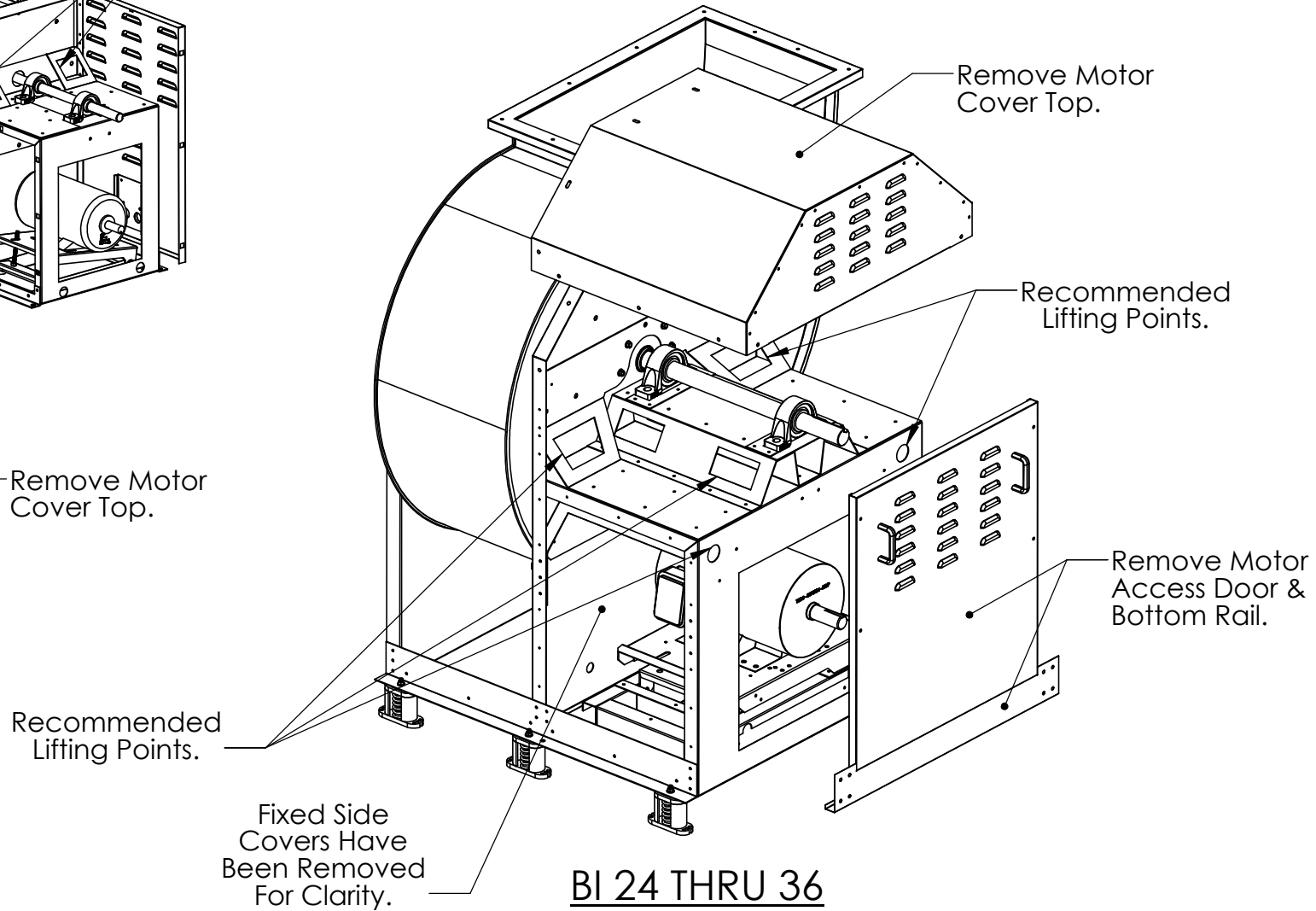


Lifting Points - Up Blast Utility Set

BI 11 THRU 20

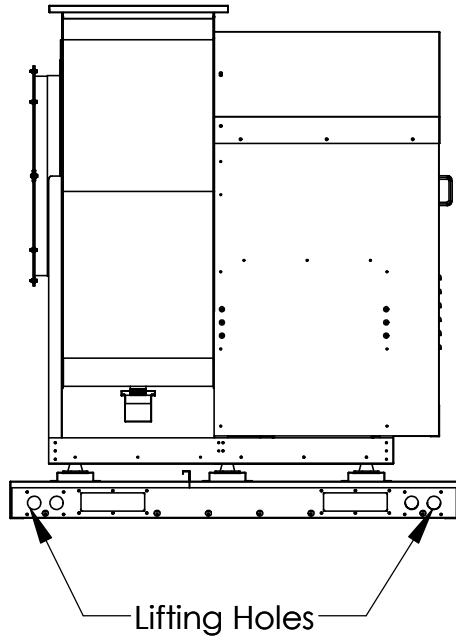


NEVER LIFT BD FANS FROM THE SHAFT & BEARINGS.



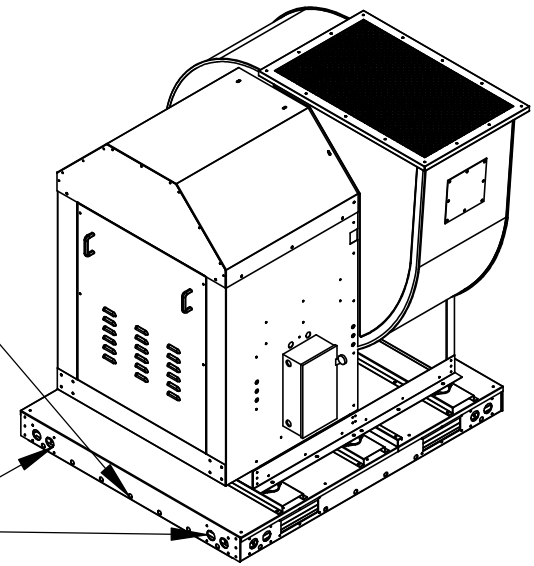
LIFTING POINTS - UTILITY SET BACKWARD INLET (USBI) ASSEMBLY

Fan Design

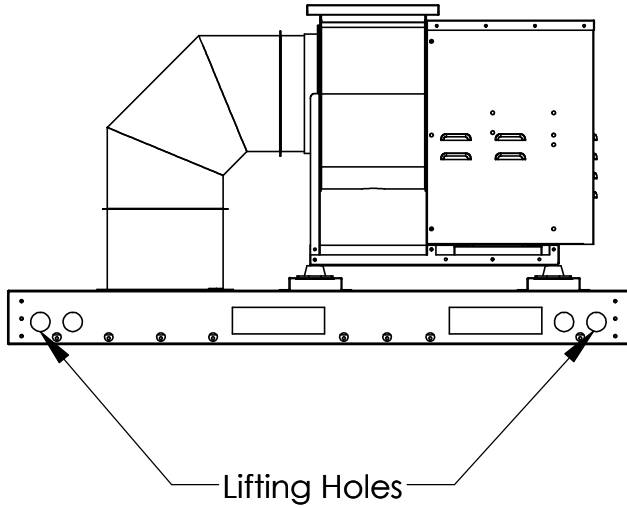


Curb Mounting Holes
(Secure Curb to Sled)

Lifting Holes



Fan & Duct Design



Curb Mounting Holes
(Secure Curb to Sled)

Lifting Holes

